


FE DE ERRATA

The corrections on the following pages correspond to the article by H. Dieter Heinen and Paul Henley (History, Kinship and the Ideology of Hierarchy Among the Warao of the Central Orinoco Delta) that was published in *Antropológica* 89:25-78. Specific page numbers where these figures are found in the original text have been provided in the individual captions.

FIGURE 1A
 WINIKINA WARAO RELATIONSHIP TERMS, MALE EGO
 Antropológica 89:49
 Changes marked with a 

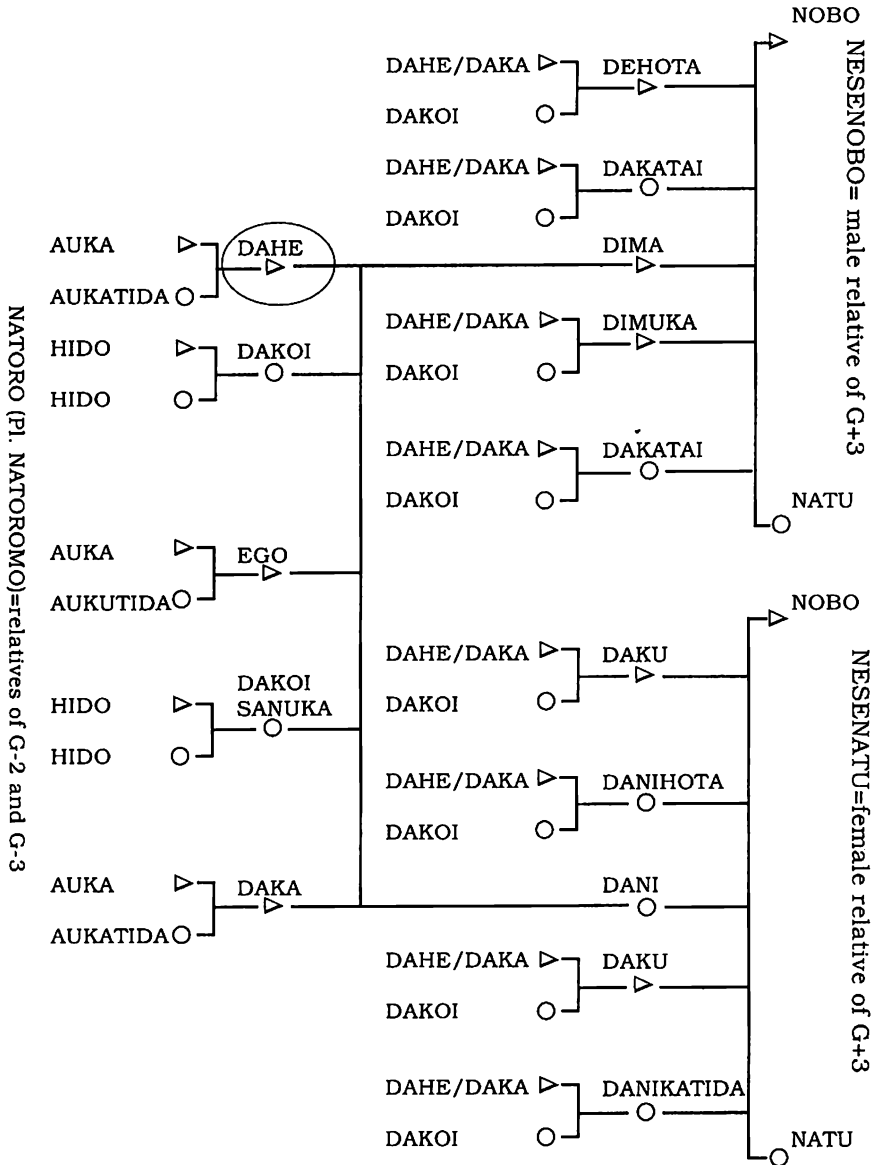



FIGURE 1B
 WINIKINA WARAO RELATIONSHIP TERMS.
 FEMALE EGO WHERE DIFFERENT
 Antropologica 89:50
 Changes marded with 

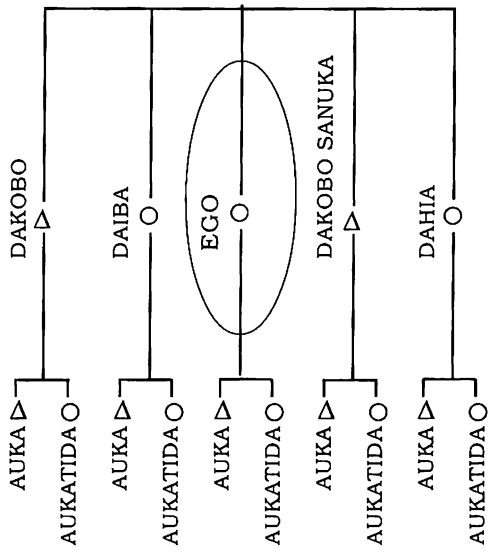



FIGURE 2 WINIKINA AFFINAL TERMS, MALE
 EGO REFERENCE TERMS [VOCATIVE TERMS]
 Antropológica 89:55
 Changes marked with 

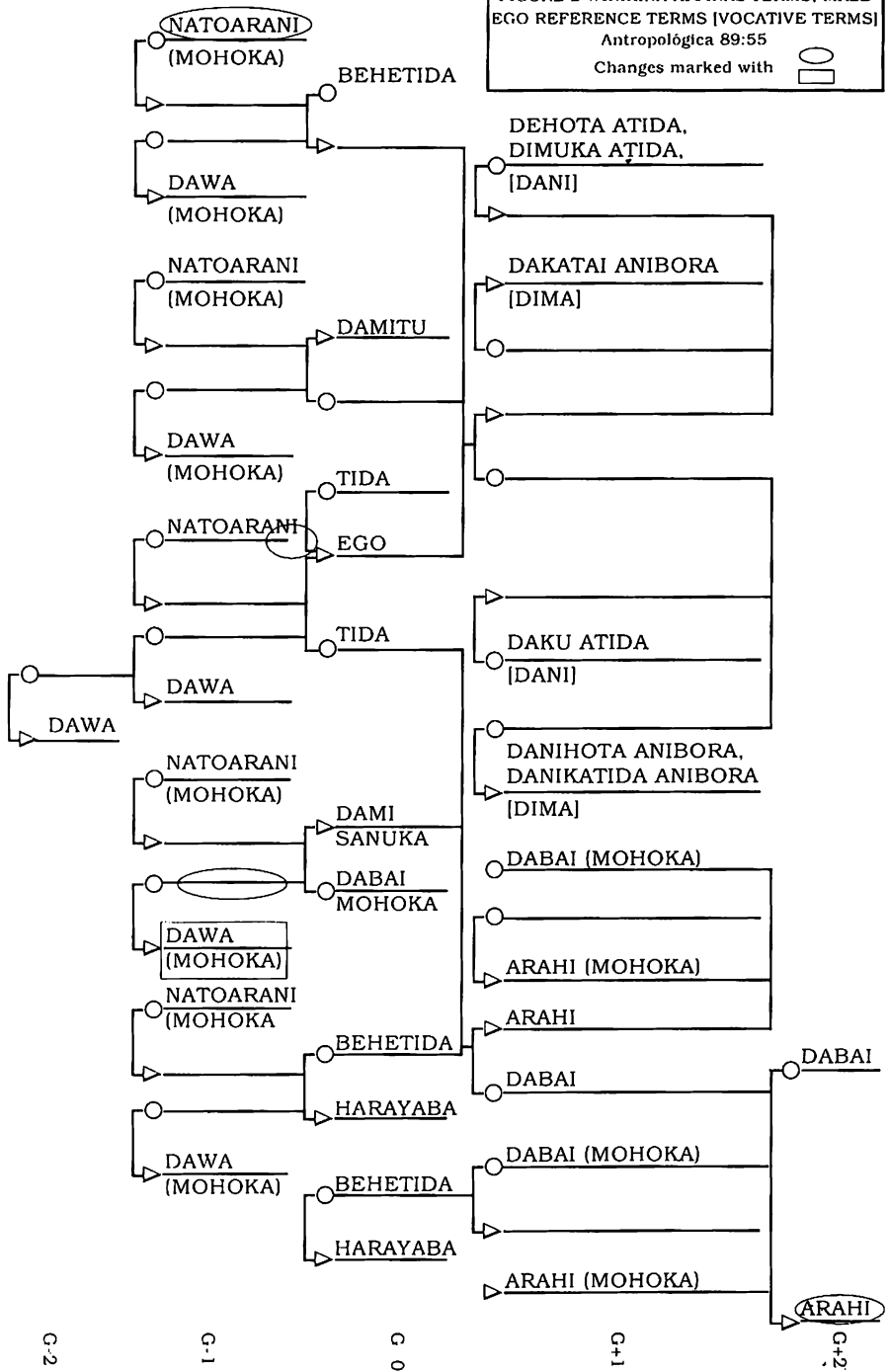



FIGURE 2B
 WINIKINA AFFINAL TERMS. FEMALE EGO REFERENCE TERMS [VOCATIVE TERMS]
 Antropológica 89:56. Changes marked with 

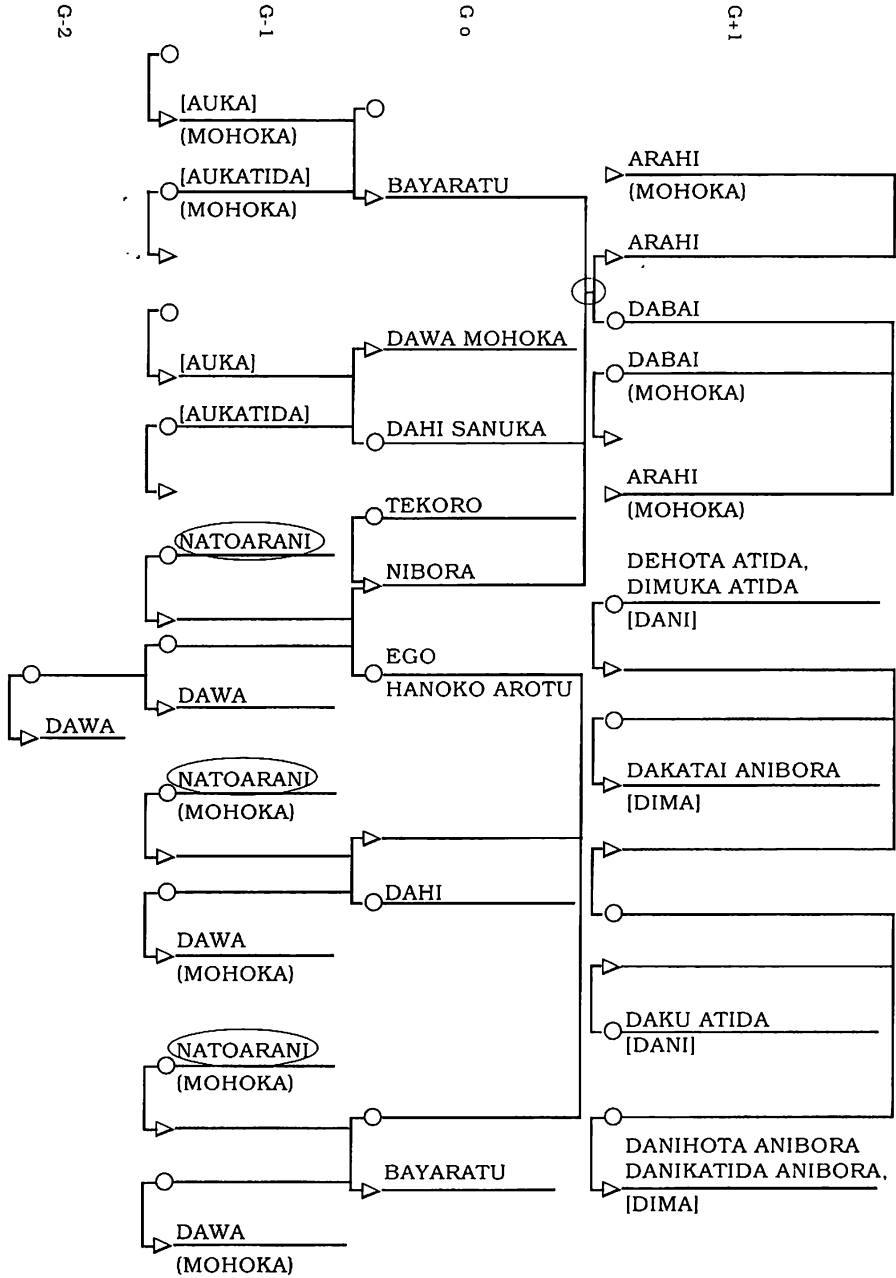


FIGURE 3
 REITERATIVE ALLIANCE IN MORICHITO
 Antropológica 89: 61
 Changes marked with ○

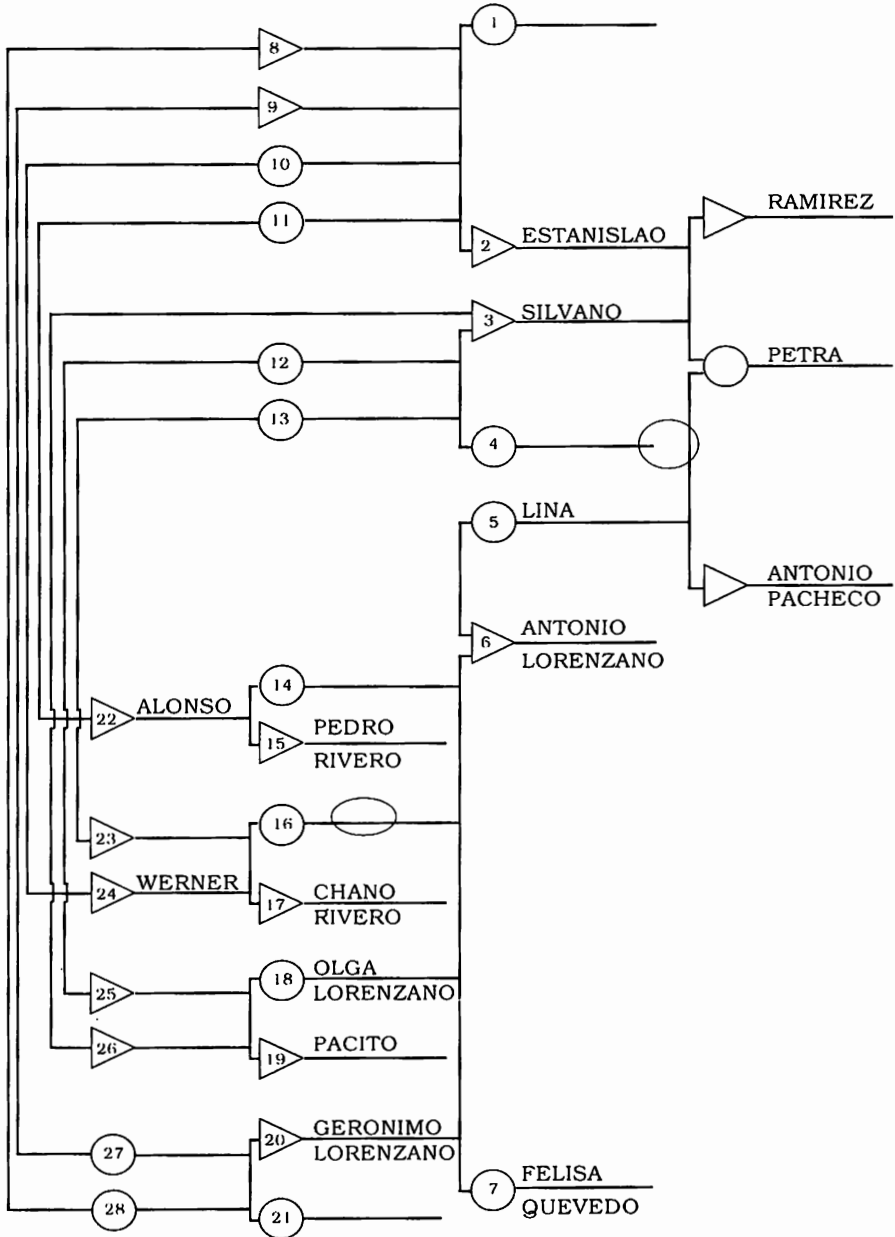


FIGURE 4
 REITERATIVE ALLIANCE THROUGH SECONDARY MARRIAGE
 Antropológica 89: 63
 Changes marked with 